

Sonimus TuCo 1.0.1

Thank You

Thanks for purchasing TuCo. Sonimus TuCo is the result of hours of hard work, research, and development. We at Sonimus proudly continue to pursue our passion for creating products to optimize your mixing experience. We are confident you will enjoy your new plugin.

Sincerely,

Sonimus Staff

Licensing

In order to use your downloaded Sonimus product, it is necessary to activate your license. To activate TuCo, please download and execute the license activation script (You will find easy to follow instructions in the “Product Activation” section below). Your software will be ready for use immediately upon activation. The Sonimus Licensee is governed by Terms and Conditions the user accepts upon installation.

Installation

On the Sonimus website, navigate to “My Area.” Click on TuCo to download the installer for your platform.

Mac

Open the TuCo.dmg, run the installer, and follow the on-screen prompts. If you would like to customize your installation, at the “*Installation Type*” step, please click on the “*Customize*” button.

Windows

Open your downloaded .zip file, run the installer and follow the given steps.

Product activation

In order to activate TuCo you must download and execute the license activation script.

Please visit www.sonimus.com and click on the "My Area" tab. In the "My Products" section, click on the image of the product you want to activate to download its activation licenser script. Once the file has been downloaded to your computer, double click to execute. As a final step, please restart your DAW.

Product Deactivation

Sonimus TuCo provides you with the necessary tools for both activating or deactivating your product. According our Terms and Conditions - Section Grant of License: It is useful for you to know deactivation process in order to take necessary precautions for protecting your product. In particular, please remember to delete all Sonimus files which were copied previously to your platform (including emptying the Recycle Bin) after deactivating your Sonimus product license.

To *deactivate* your Sonimus product, please visit www.sonimus.com and click on the "My Area" tab. In the "My Products" section, click on the image of the product you want to deactivate. Download its activation licenser script. Once the file has been downloaded to your computer, double click to execute. *Choose the "remove licenser" option* from the product licenser dialog to complete the deactivation process.

Specifications

Supported Platforms

Audio Unit, VST 2.4, VST 3, AAX. All platforms support both 32 and 64 bit operation.

Supported Operating Systems

- Mac OSX 10.8 or newer
- Windows 7 or newer

Technical Specifications

- **Sample Rate Support:** Up to 192 khz
- **Bit Depth:** 64 bits (floating point)
- **Channels:** Mono and Stereo
- **Latency:** Zero

Introduction to TuCo

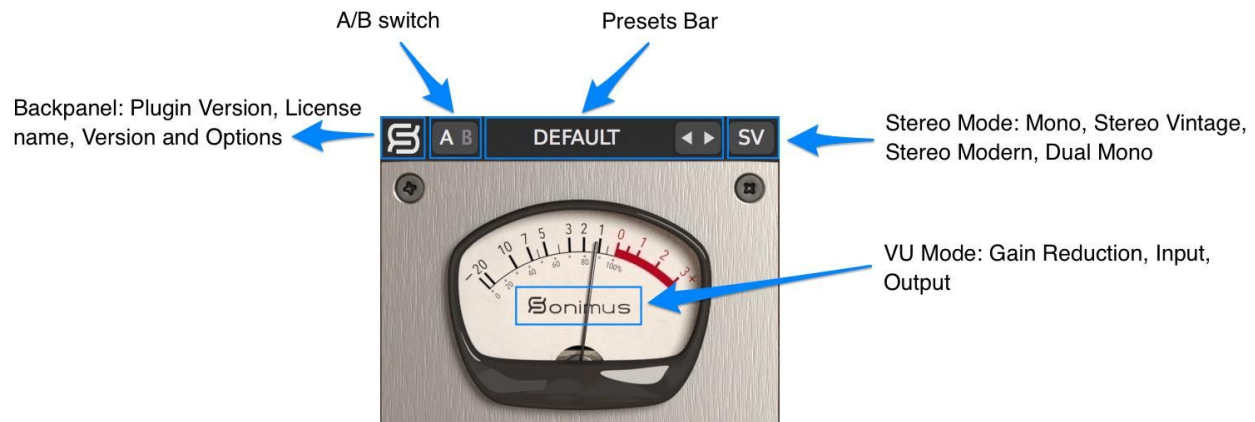
TuCo is our new compressor based on vari-mu tube technology with a feedback topology. TuCo can be clean, warm and crisp at same time, exhibiting subtle and natural compression at low amounts and plenty of punch at higher settings. TuCo is an original Sonimus development, designed using analog modeling techniques.

TuCo is ideal for drums, vocals, or any track instrument. TuCo sounds great applied to a whole mix, too. Thanks to its “stereo modes” (Dual Mono, Stereo Vintage, Stereo Modern) TuCo can be used for tracking, as well as for mastering.

Key Features:

- All tube vari-mu design
- Four modes: Fast Attack Compressor, Slow Attack Compressor, Fast Attack Limiter, Slow Attack Limiter
- Release knob with slow to fast settings
- Three stereo modes: Dual Mono, Vintage Stereo, Modern Stereo
- Mix control for parallel compression
- Output tube saturation controlled by a drive knob
- A/B switch for a/b comparison
- Presets system to create and edit both user and factory presets
- Support for HQ screen resolution (Retina)

Options



Presets System

Sonimus TuCo comes with many factory presets you may choose to install. You can also create your own presets and preset groups. For example, you might create a group called “guitars” and then save new presets within this group like “clean guitar,” “overdriven guitar,” etc. You can also edit, rename and remove presets and groups.

Controls

Stereo Mode

- **Mono:** Processes a stereo input through mono unit compressor
- **Stereo Vintage:** Feeds the sum of both channels (left & right) into a single unit detector circuit, then applies the same “gain reduction” to each channel. This mode sounds open and wide.
- **Stereo Modern:** Each channel (left & right) is processed independently. Combines the two gain-reduced channels into one, resulting in equal gain reduction for both sides.
- **Dual Mono:** Each channel is processed independently by two compressor units.



Compressor Mode

1. Slow Attack Compressor
2. Fast Attack Compressor
3. Slow Attack Limiter
4. Fast Attack Limiter

Amount

Adjusts the amount of compression. Functions like a “threshold” control.

Auto Makeup Gain (AMG)

AMG: When enabled, AMG compensates for volume drop resulting from compression.

To activate AMG, click on the “Amount” label (outlined in red in the screenshot at right)

AMG does not modify audio dynamics. Rather, it calculates a gain compensation approximation. Use in conjunction with your ears and the “output” control knob.



Note: For optimal results, your input level signal must be 0VU from -20 to -16 dbfs.

Output

Adjusts the compressor’s Make Up Gain.

Release

Adjusts the compressor’s release speed: 0: Fast, 10: Slow.

SC HP

Applies a High-Pass Filter to the side chain input signal (useful for bass guitars and/or bass drums).

Drive

Adjusts amount of tube style saturation (When set to zero, saturation is bypassed).

Mix

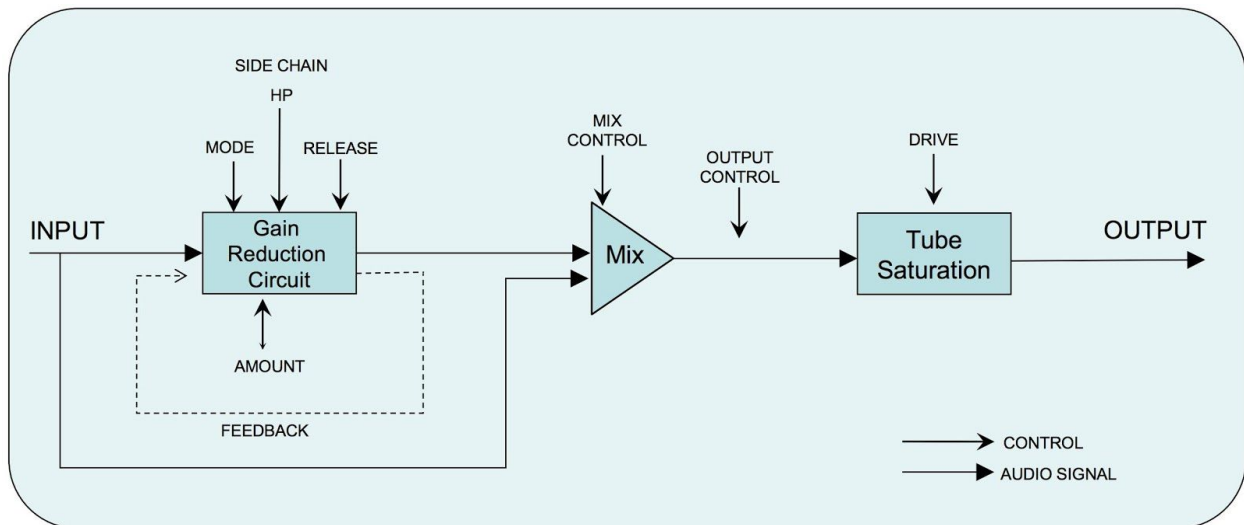
The Mix knob blends the “dry” uncompressed signal with the “wet” compressed one. TuCo features two Mix Modes. Access the two Mix Control Mode options by clicking the “Mix” label on the user interface (outlined in red in the screenshot below).

- **Mix Before Output Control:** This is TuCo’s more intuitive mode. Here you can blend dry/wet without worrying about matching dry and wet signal volumes. Your dry signal is adjusted automatically to match your compressed signal volume. Output knob affects both signals: wet and dry.
- **Mix After Output Control:** This is TuCo’s more traditional mode. The dry signal is not compensated automatically. In this mode, you must level the compressed signal using the “output knob” to achieve your desired dry/wet signal ratio. The Output knob only affects the compressed signal.

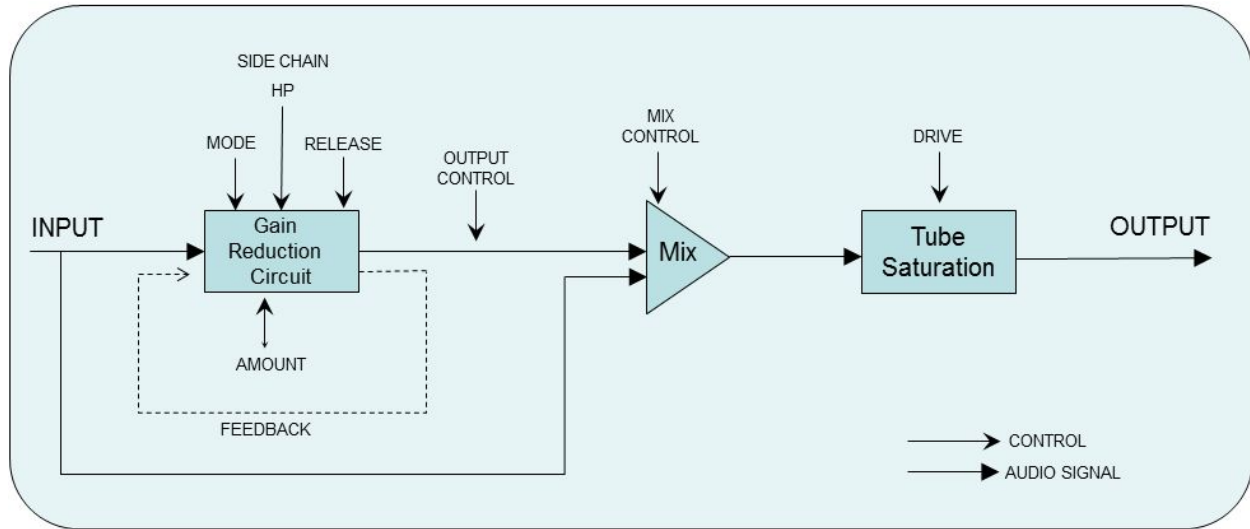


Signal Flow

Mix Before Output Control



Mix After Output Control



Technical support

For support, please visit our website at [Sonimus.com](http://sonimus.com) and navigate to the section entitled "Support." Or, you may jump to our support section directly by clicking on the following link: <http://sonimus.com/support/>

Credits

- English text edit - Ken Lovgren